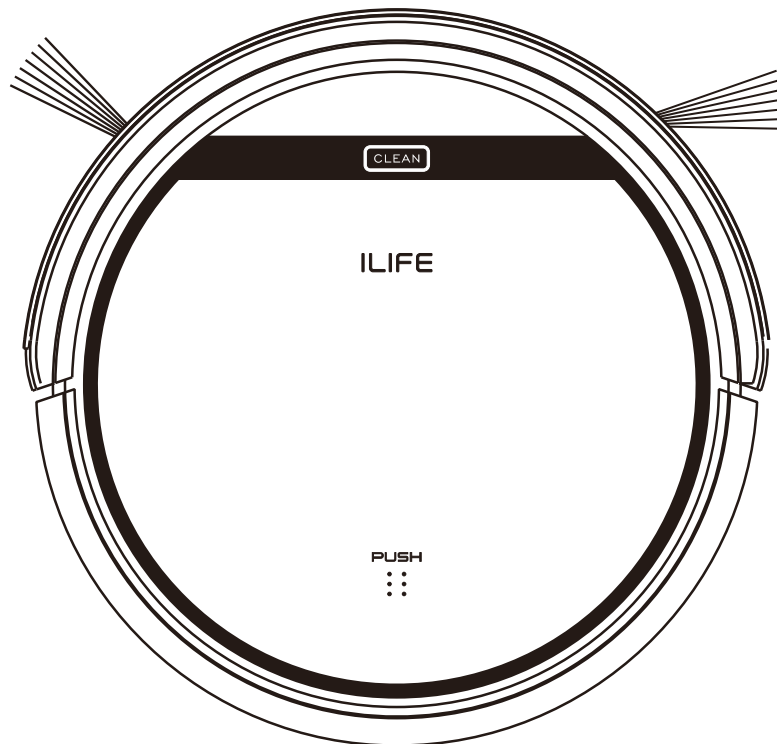


ILIFE



Robotic Vacuum Cleaner

# User Manual

---

# Table of Contents

---

<b>Safety Instructions</b> .....	1
<b>Product Parts</b> .....	2
Main body and accessories .....	2
Robot anatomy .....	3
Charging home base and Remote control .....	4
CLEAN button status .....	5
Remote control operating .....	6
<b>Product Operating</b> .....	7
How to get started .....	7
Starting up/Pause/Sleeping .....	8
Scheduling .....	8
Cleaning mode .....	9
<b>Product Maintaining</b> .....	10
Cleaning side brushes and cloth .....	10
Cleaning dust bin and filters .....	10
Cleaning sensors .....	10
<b>Trouble Shooting</b> .....	11
Error code sheet .....	11
<b>Product Specifications</b> .....	12

---

# Safety Instructions

---

**Before using this product, please read the following safety instructions and follow all normal safety precautions.**

- Before using this product, ensure the power switch is ON.
- If the product is not used for long time, please turn off the switch on the right side of the main body.

## **WARNING**

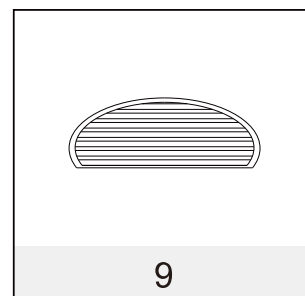
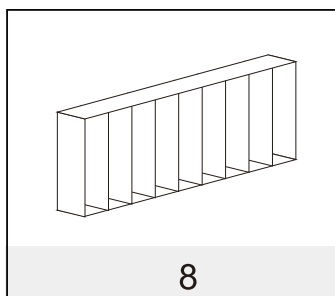
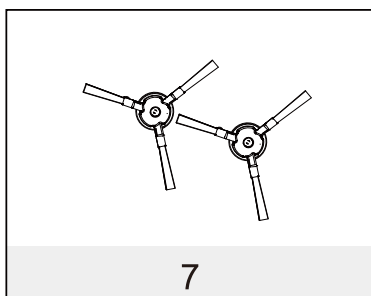
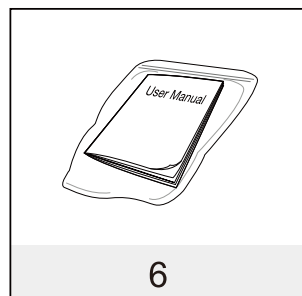
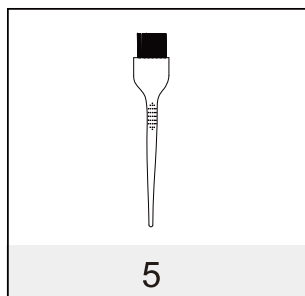
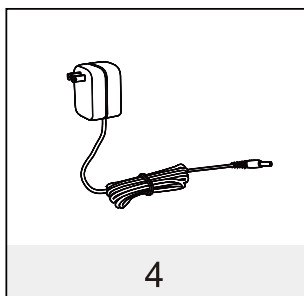
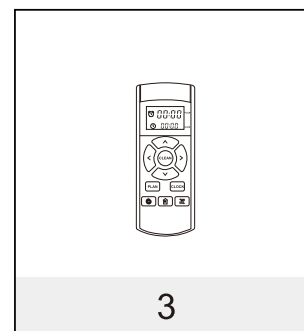
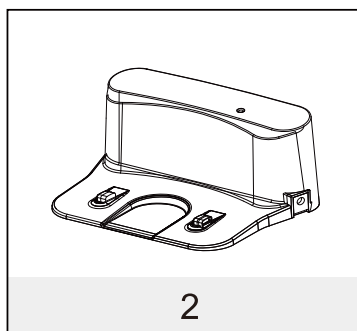
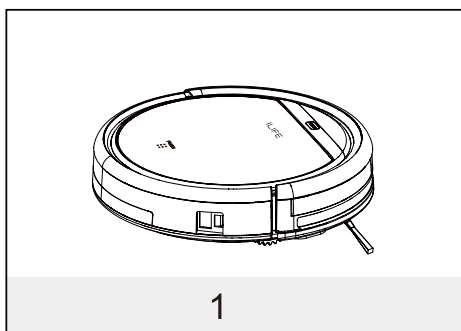
1. Only the certified technician may disassemble the product. Users are not allowed to disassemble or repair the product.
2. Only use the adapter provided by the factory. Using other un-matched adapter may cause electric shock, fire or product damage.
3. Do not touch the power cord, plug or adapter when your hands are wet.
4. Do not make clothes or part of a body drawn into the product's wheels.
5. Do not make this product close to cigarette, lighter, match or any flammables.
6. If the product is needed to clean, clean it after charging is stopped.
7. Do not over-bend the power cord or pressure the power cord with heavy or sharp objects.
8. This product is used only indoors, do not use it outdoors.
9. Do not sit on top of this product or attach an object on the top of it.
10. Do not use this product in wet or moist environment (any environment with liquid)
11. Before use, collect the floor environment (remove all the fragile objects and cords, clothings papers and drapes .etc that may get caught in the product).
12. Do no place this product where it is easy to drop off (tables, chairs, etc).
13. Turn off the power switch when you don't need to use this product for a long time.
14. Before use, check whether adapter and outlet are properly connected.
15. To avoid tipping, inform all the people in the house when this product is working.
16. The product may not be able to pass through steps over 10mm.
17. Use this product in temperature from -10° to 40°(centigrade degree)and do not place this product in high-temperature environment.
18. The battery must be removes from the product before it is scrapped.
19. The product must be disconnected from the supply mains when removing the battery.
20. The battery is to be disposed of safety.

**NOTE: This product could not be used by children, mentally challenged people or people lack of related experience and knowledge (Unless there are people instruct or supervise them).**

# Product Parts

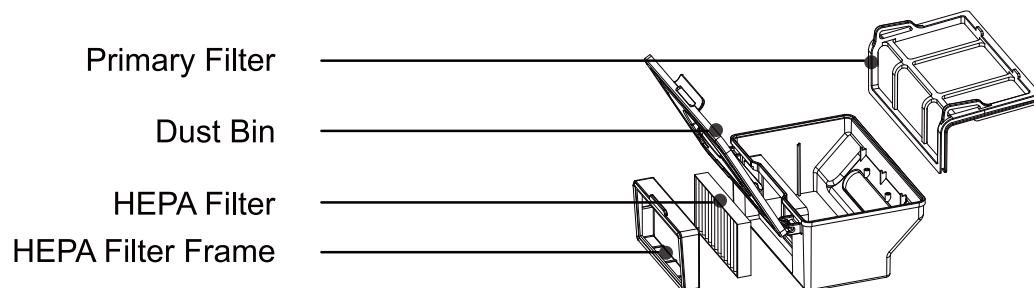
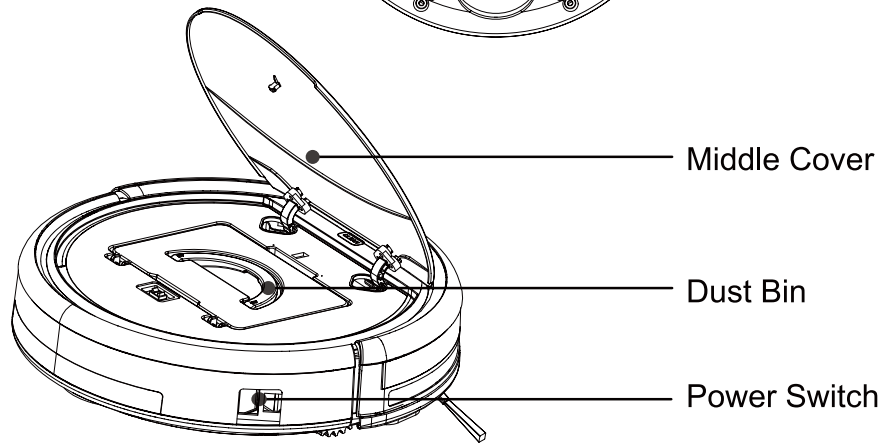
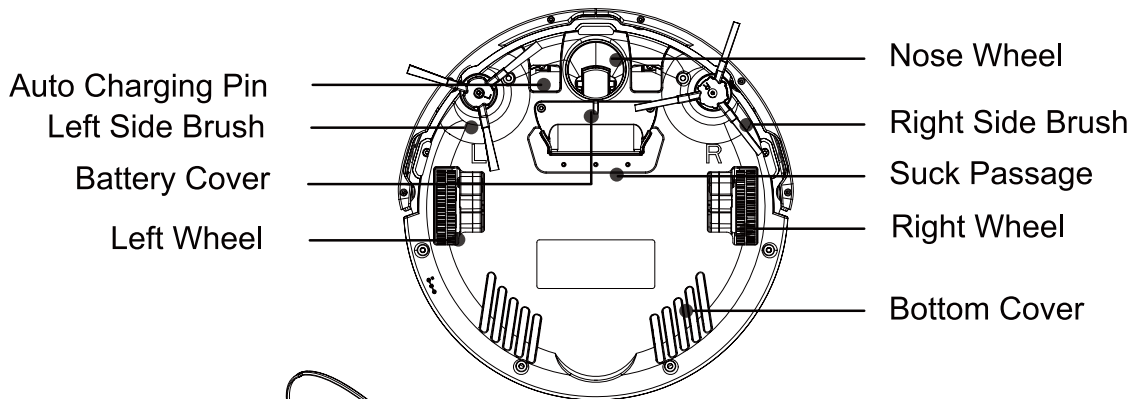
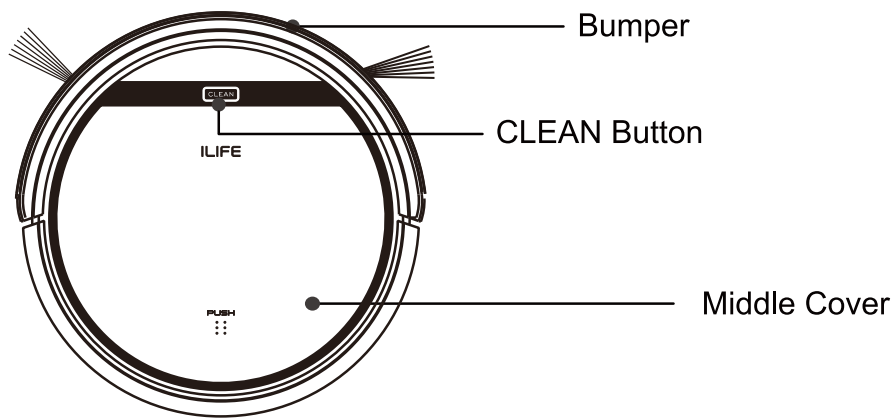
## Main body and accessories

NO.	Description	Q'ty
1	Main Body	1
2	Charging Home Base	1
3	Remote Control(battery not included)	1
4	Adapter	1
5	Cleaning Tool	1
6	User Manual	1
7	Extra Side Brushes	2
8	Extra HEPA Filter	1
9	Cloth	1

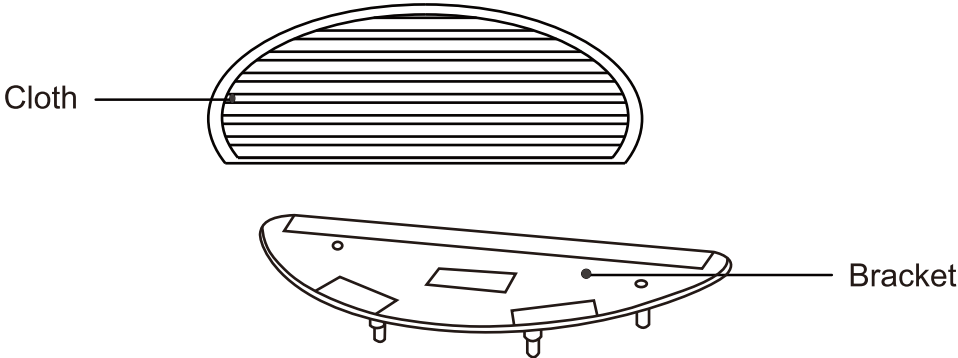


# Product Parts

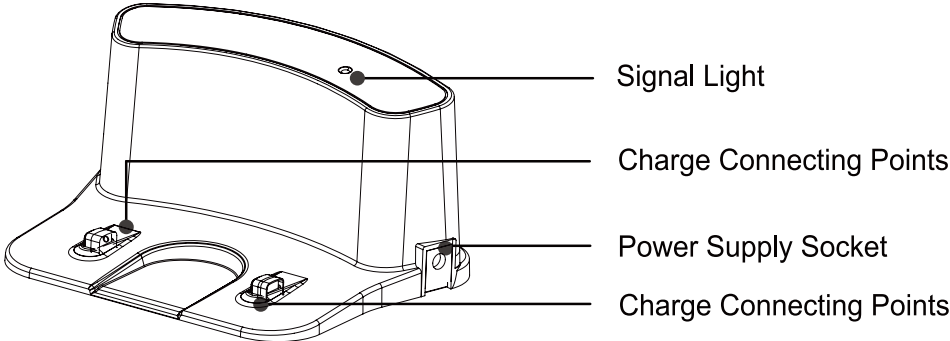
## Robot anatomy



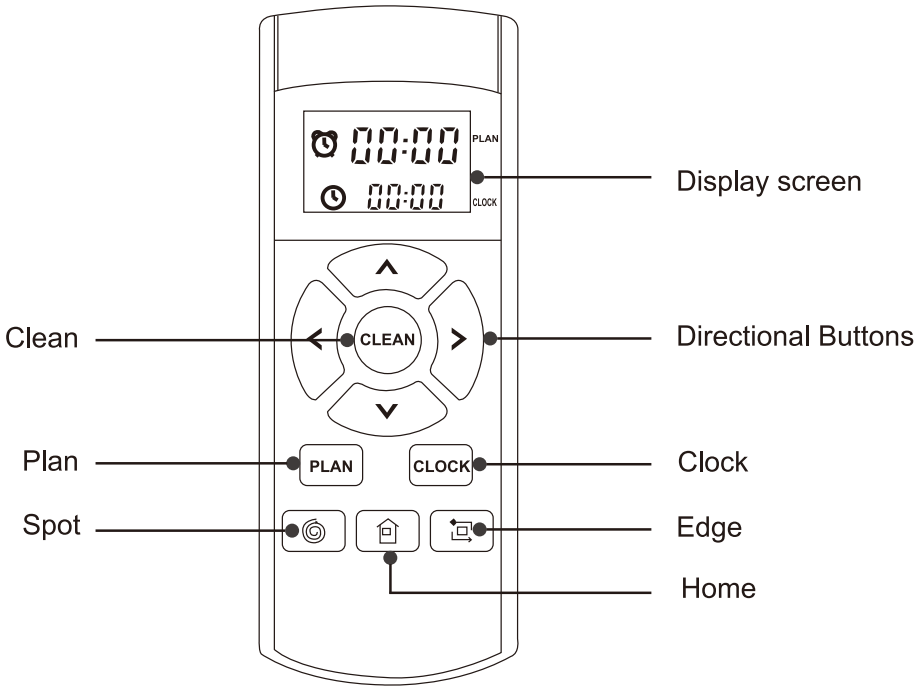
# Product Parts



## Charging home base



## Remote control



---

## Product Parts

---

### CLEAN button status



Robot status	Lights Status
Charging	All lights flash gradually
Charging finished	All lights turn solid
In selected mode	All lights flash slowly
When robot in error	All lights flash
Low battery	Middle lights flash
In home mode	Middle lights flash slowly
In cleaning mode	Middle lights turn solid
In edge mode	Middle lights turn solid, lower lights flash
In spot mode	Middle lights turn solid, upper lights flash

---

# Product Parts

---

## Remote control operating

1. "CLEAN" Clean
  - Press this button to start cleaning in selected mode
  - Press this button to make the robot stop when it's cleaning.
  - Press this button to exchange from sleeping mode to selected mode.
2. Directional Buttons
  - A. "▲" button:
    - Press this button to increase number in scheduling or clock mode;
    - Press this button to make robot move forward in selected mode or make robot stop when robot is moving forward.
  - B. "▼" button:
    - Press this button to decrease number in scheduling or clock mode.
    - Press to make robot move backward for little step in selected mode.
  - C. "◀" button:
    - Press this button to exchange from minute to hour in scheduling or clock mode;
    - Press this button to make robot turn left.
  - D. "▶" button:
    - Press this button to exchange from hour to minute in scheduling or clock mode;
    - Press this button to make robot turn right.
3. Plan
  - Press this button to enter scheduling mode when in selected mode.
  - Press this button to confirm scheduling in scheduling mode.
4. Clock
  - Press this button to enter clock mode when in selected mode.
  - Press this button to confirm clock setting in clock mode.
5. "🏠" Home
  - Press this button to return robot to charging home base.
6. "🚧" Edge
  - Press this button to make robot clean along wall.
7. "🎯" Spot
  - Press this button to make robot start spot cleaning.
8.  Shows the scheduling time.
9.  Shows the clock time.

### Note:

1. Install two AAA /R03 type batteries into the remote control.
2. Take out the batteries if the remote control is not used for long time.



---

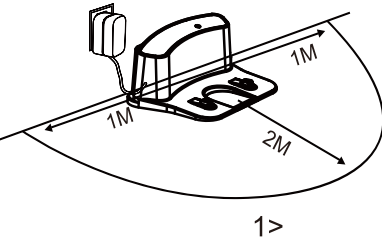
# Product Operating

---

## 1. How to get started

**1>. Place charging home base, plug in adapter, signal light on charging home base will flash.**

Note: Put charging home base against the wall and remove obstacles about 1 meter at two sides and about 2 meters forward.



**2>. Turn on the Power Switch around power socket, then display panel will flash.**

(If no command received, the robot will turn to sleeping mode after 15 seconds.)

Note: A. Please always keep the power switch turning on. If not, it is unable to make the robot work.

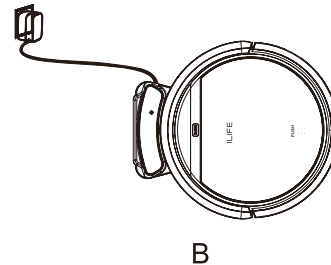
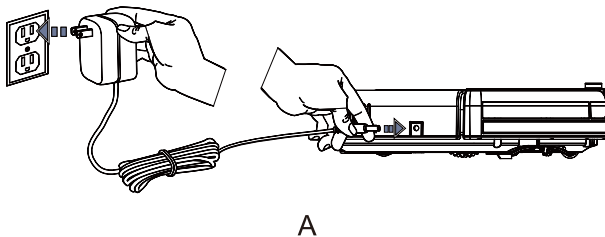
B. If power switch is turned off, all the scheduling will be lost.

**Caution: Before charge the robot, please make sure the power switch is turned on, or else the robot can not be charged.**

**3>. Charge the robot in either way as shown below:**

A. Plug into an outlet.

B. Press HOME to make robot return to charging home base for charging itself.



For better extending battery life:

A. Before first use, charge the robot overnight. When charging is finished, display panel will turn solid .

B. In normal use, always store the robot on charging home base with base plugged in.

C. If the robot is not used for long time, turn the power switch off, fully charge the robot and store it in a cool, dry place.

**4>. Auto charging**

The robot will automatically return to charging home base when battery is low.

---

# Product Operating

---

## 2. Starting up/Pause/Sleeping

Sleeping mode: Robot is not working, lights around CLEAN button are off and power switch is on;

Selected mode: Robot is not working, lights around CLEAN button flash;

Cleaning mode: Robot is working, lights around CLEAN button are on.

### 1>. Starting up

A. Make sure the power switch is on;

B. Press CLEAN button on main body or on remote control to start cleaning.

Note: If robot is in sleeping mode, press CLEAN button to wake the robot up from sleeping mode.

Then press CLEAN for a second time, the robot starts cleaning automatically.

### 2>. Pause

Press CLEAN button on main body or on remote control to exchange robot from cleaning mode to selected mode.

Note: When robot is paused, press CLEAN to make robot to re-start cleaning.

### 3>. Sleeping

To turn robot into sleeping mode from selected mode:

A. Keep pressing CLEAN on main body for 3 seconds.

B. Robot will automatically enter sleeping mode if no command received for 15 seconds.

## 3. Scheduling

You can schedule to let the robot start cleaning from a certain time.

Note: Remember to set the clock time and schedule once replace the remote control battery.

Once the clock time is set, any scheduling you have set will make robot work on the scheduled time.

### Setting the clock time

1. Point the remote control towards the robot (ensure the power switch is on).

2. Press CLOCK and then use directional buttons to set the correct time.

3. Press CLOCK to save the setting. To cancel set the number to "00:00".

### Setting a schedule

The robot will always work at the scheduled time unless power switch of the robot is turned off.

1. Point the remote towards the robot.

2. Press PLAN and then use directional buttons to set the schedule.

3. Press PLAN to save the setting. To cancel, set the number to "00:00".

Note:

When you set the clock time or schedule, the final operation will be confirmed by beep from robot;

If no tone received, your setting is unsuccessful.

---

# Product Operating

---

## 4. Cleaning mode

### 1>. Auto cleaning

The robot will clean a room automatically and adjust its cleaning according to the situation.

Note:

Press CLEAN button on robot or on remote control to start auto cleaning.

### 2>. Spot cleaning

Put the robot near a dirty area and press SPOT on remote control to start spot cleaning.

Note:

Spot cleaning will automatically stop after the area is cleaned and then the robot will turn to selected mode.

### 3>. Edge cleaning

Put the robot near the edge (wall) and press EDGE on remote control to start edge cleaning.

Note:

Edge cleaning will automatically stop when robot could not detect any edges, or you could manually press CLEAN to stop edge cleaning.

# Product Maintaining

## 1. Cleaning side brushes and cloth

Clean the side brushes and cloth when it gets dirty and replace if it's damaged.

Note:

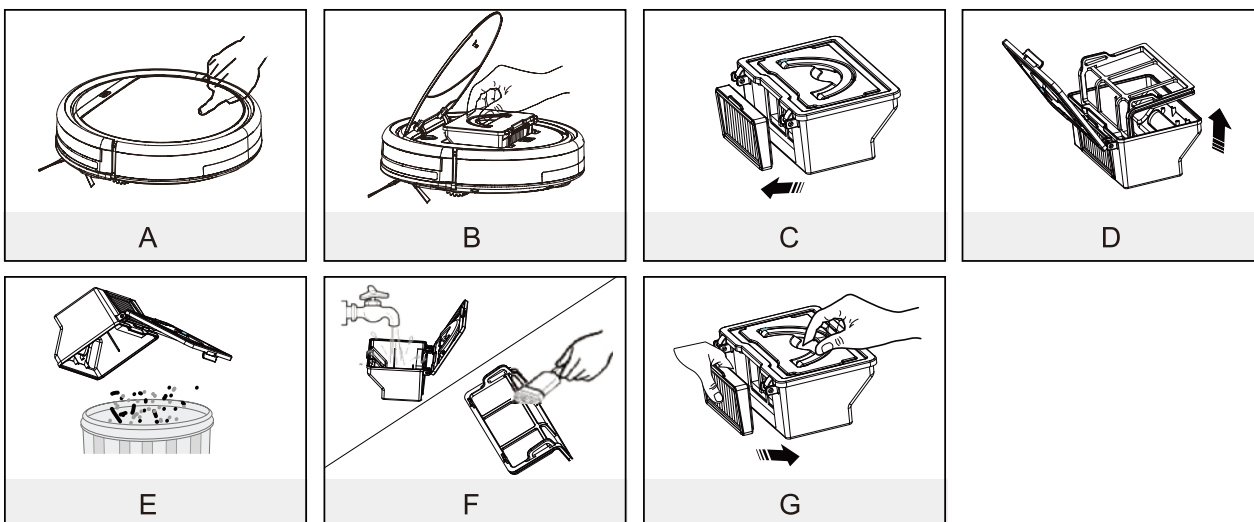
- A. Before replacing side brushes, check and match "L" "R" mark on both side brush and bottom of robot.
- B. Hold bracket outward from robot. When installation, four feet on four round hole at the bottom of the robot, press down and can complete the installation.

## 2. Cleaning dust bin and filter

Clean and empty dust bin after each use, steps are as shown in below figures.

Note:

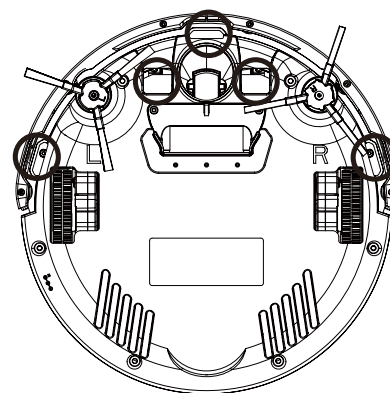
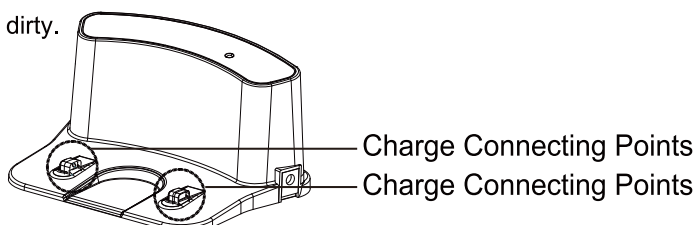
After taking out dust bin, check whether there is foreign matter stuck in suck passage and clean it. Wash HEPA filter after 15-30 days' use. And replace it after use for 6 months at maximum. Install both HEPA and primary filters when they are dry. HEPA and primary filter could be replaced if needed.



## 3. Cleaning cliff sensors and auto charging pins.

Slightly clean the sensor window and auto charging pins with a soft dry cloth.

Note: Charge connecting points on charging home base need to clean if dirty.



---

# Trouble Shooting

---

## 1. Error code sheet

When the robot meets with some routine troubles, it will remind you by beep.

- Short tone

<b>NO.</b>	<b>Tone</b>	<b>Cause</b>	<b>Solution</b>
<b>01</b>	●	Wheels or side brushes no work	Check wheels or side brushes
<b>02</b>	● ●	Cliff sensor or bumper sensor failure	Clean cliff sensor and shake bumper slightly, check whether there is foreign matter
<b>03</b>	● ● ●	Main body gets stuck	Move main body and start again

Note: If all above solutions don't work, please take below actions.

1. Re-set the robot by re-turning on the power switch.
2. If re-set action doesn't work, please send the robot to seller for repairing.

## Product Specifications

Classification	Item	Detail
Mechanical Specifications	Diameter	300mm
	Height	70mm
	Weight	2.05kg
Electrical Specifications	Voltage/Power	11.1V/22W
	Battery specifications	Lithium ion 2600mAh
Cleaning Specifications	Dust bin capacity	0.3 L
	Charging type	Auto Charging / Manual Charging
	Cleaning mode	Auto, Spot, Edge, Daily Schedule
	Charging time	About 280min
	Cleaning time	About 130min
Main Body Button Type		Touch button

Remark: The storage temperature of this product is -10 to 40 °C .